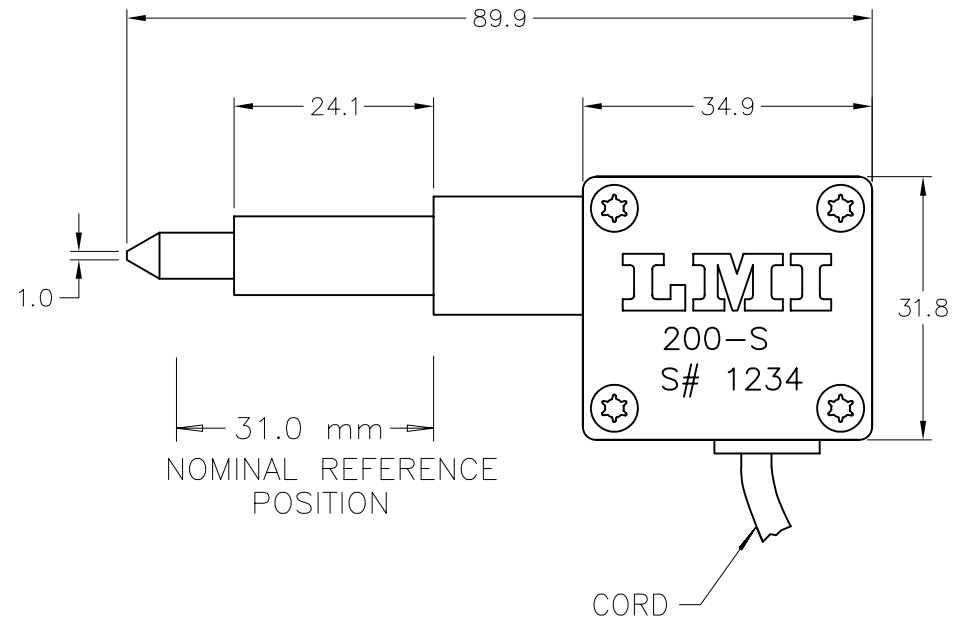
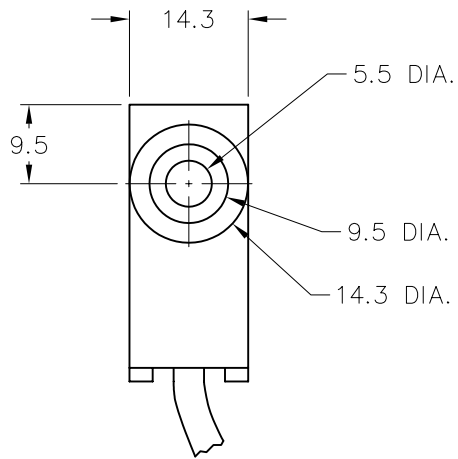


This drawing contains designs and other information which are property of LMI Corporation. This drawing may not, in whole or in part, be duplicated or disclosed or used for manufacture of the part disclosed herein, without the prior written permission of LMI Corporation. Contact LMI to verify current specifications.

Tracing Template

LMI200-S STYLE TRANSDUCER



- 9.5 DIA. SHAFT ON TRANSDUCER TO FIT LMI261 ADJUSTABLE THREADED BUSHING OR STANDARD 3/8" DIA. BUSHING

LMI

PHONE #(810) 714-5811

TITLE: LMI200-S PROBE TRANSDUCER
(10MM TRAVEL)

SHEET: 1 OF 1

REV DATE: 12/05/05