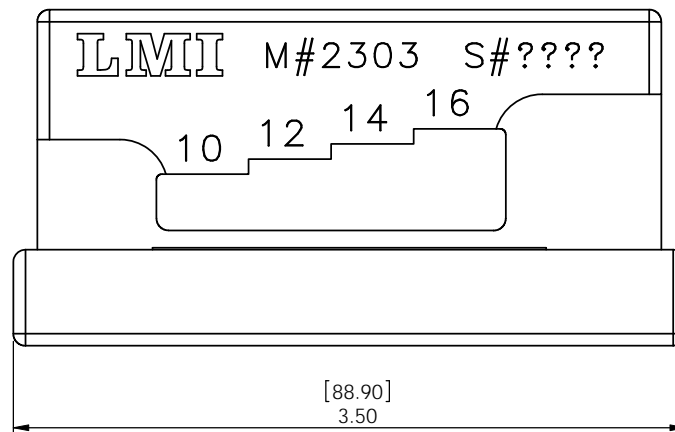
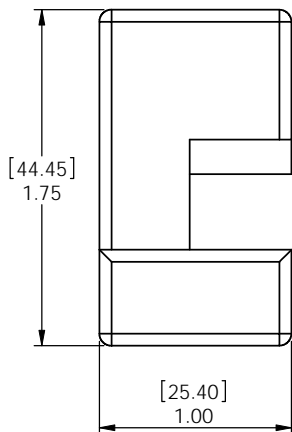
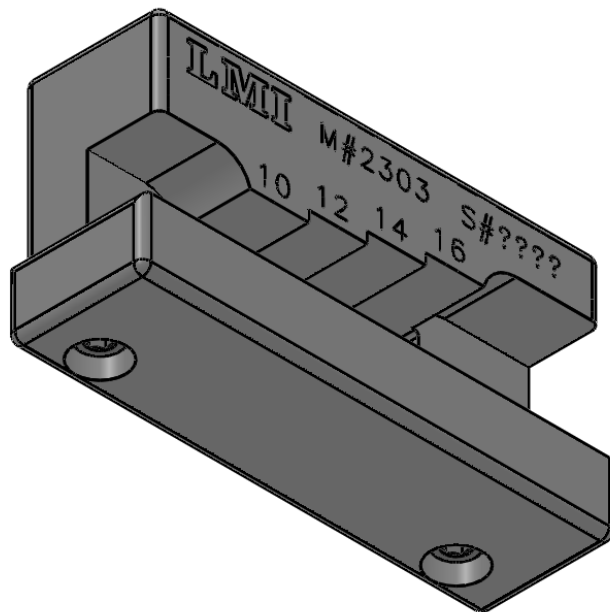


This drawing contains designs and other information which are property of LMI Corporation. This drawing may not, in whole or in part, be duplicated or disclosed or used for manufacture of the part disclosed herein, without the prior written permission of LMI Corporation. Contact LMI to verify current specifications.



DIMENSIONAL TOLERANCES UNLESS OTHERWISE SPECIFIED:  
 MILLIMETERS: 1 PLACE +/- 0.3MM INCHES: 2 PLACE +/- 0.01  
 2 PLACE +/- 0.15MM 3 PLACE +/- 0.005  
 3 PLACE +/- 0.015MM 4 PLACE +/- 0.0005  
 ANGLE +/- 15 MINUTES (25 DEGREES)  
 CLEAN & EVEN BREAK ALL EDGES .015 UNLESS OTHERWISE SPECIFIED



PHONE #(810) 714-5811

TITLE: LMI 2303, VERIFICATION BLOCK FOR			
LMI ULTRAMINI, 237MINI, & 238MINI			
MAT'L: SEE STOCK LIST		MAT'L P/N: N/A	
DR:	RE	APP:	DATE: 12/13/11
SHEET: 1 OF 1	SCALE: 1:1	PART NO: LMI 2303	