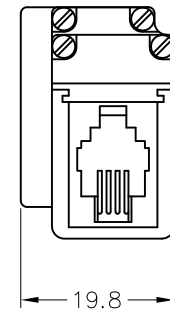
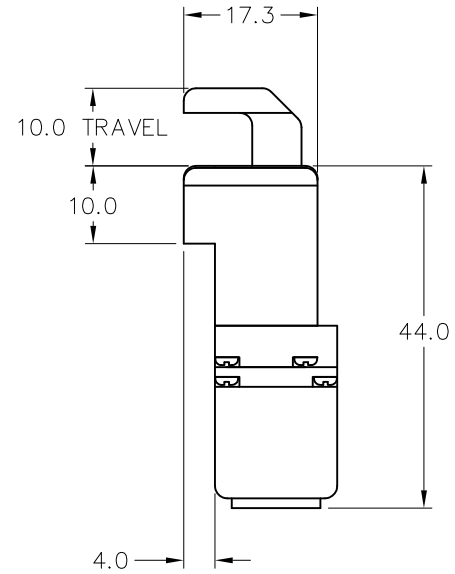
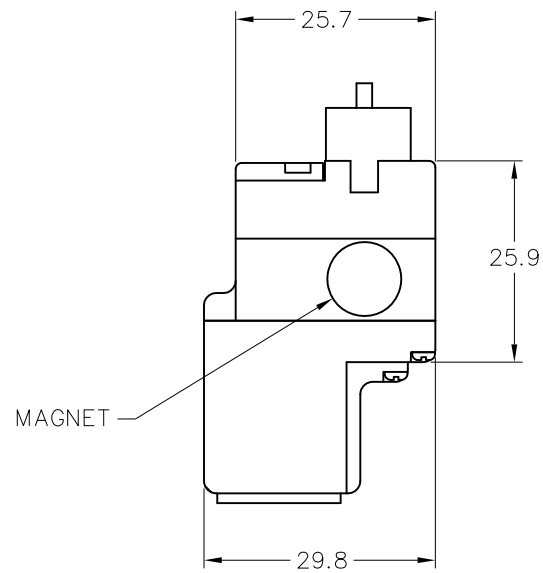


This drawing contains designs and other information which are property of LMI Corp. This drawing may not, in whole or in part, be duplicated or disclosed or used for manufacture of the part disclosed herein, without the prior written permission of LMI Corp. LMI is dedicated to continuous product development and therefore reserves the right to modify the design without notice

TRACING TEMPLATE



LMI

PHONE #(810) 714-5811

TITLE: 238MINI-C, DECK LID SEAL GAP GAGE

10.0-20.0MM INTEGRATED CONNECTOR

PART NUMBER: LMI 238MINI-C

SHEET: 1 OF 1 REV DATE: 10/14/08