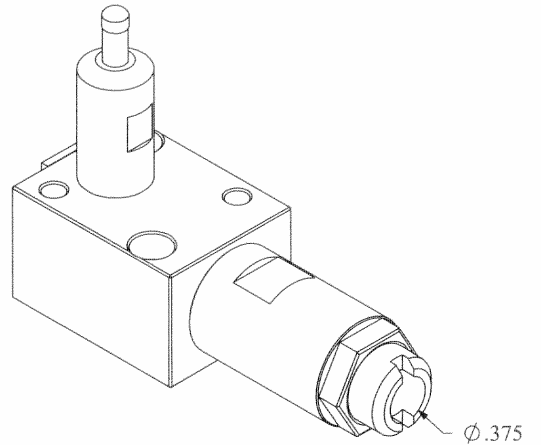


SECTION A-A



R.A.T-25-3.0
Assembly