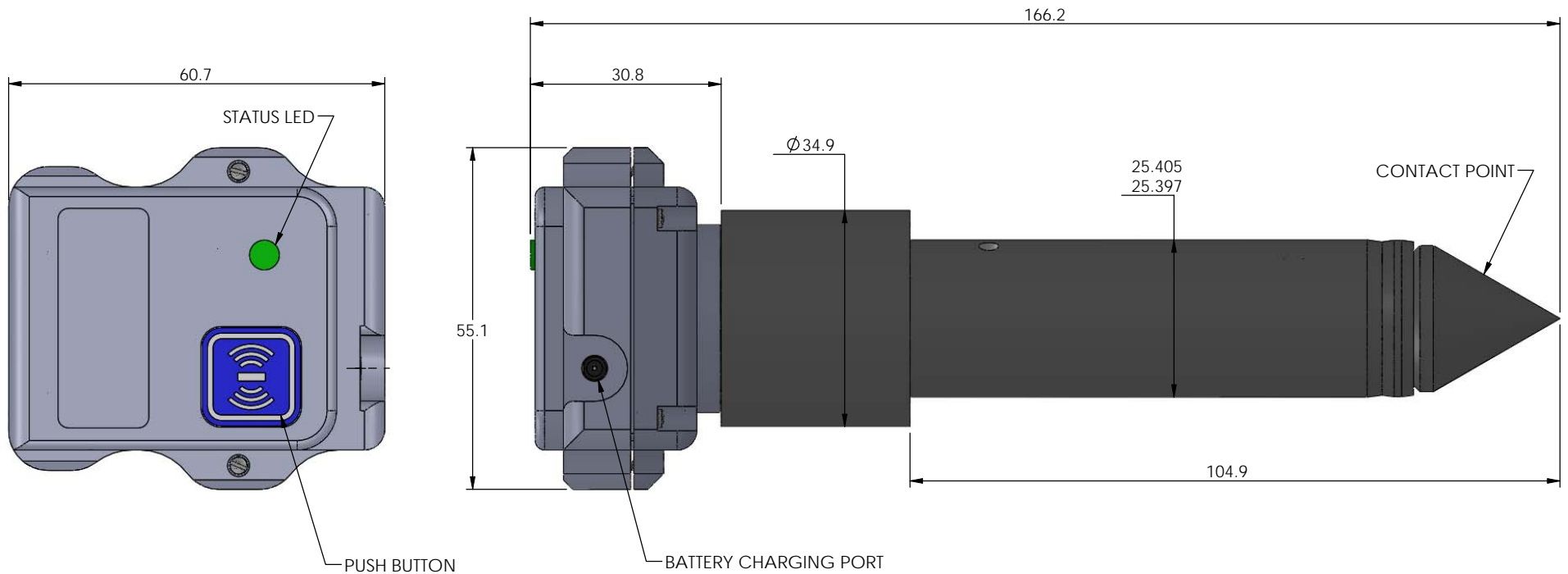


This drawing contains designs and other information which are property of LMI Corporation. This drawing may not, in whole or in part, be duplicated or disclosed or used for manufacture of the part disclosed herein, without the prior written permission of LMI Corporation. Contact LMI to verify current specifications.



TITLE: LMI TP108W-3.2, WIRELESS TRU-POSITION

PRODUCT TEMPLATE

MAT'L: MAT'L P/N: N/A

DR: RE APP: DATE: 5/21/14

SHEET: 1 OF 1 SCALE: 1:5 PART NO: TP108W-3.2

DIMENSIONAL TOLERANCES UNLESS OTHERWISE SPECIFIED:  
 MILLIMETERS: 1 PLACE +/- 0.3MM INCHES: 2 PLACE +/- 0.01  
 2 PLACE +/- 0.15MM 3 PLACE +/- 0.005  
 3 PLACE +/- 0.015MM 4 PLACE +/- 0.0005  
 ANGLE +/- 15 MINUTES (25 DEGREES)  
 CLEAN & EVEN BREAK ALL EDGES .015 UNLESS OTHERWISE SPECIFIED

**LMI**

PHONE #(810) 714-5811