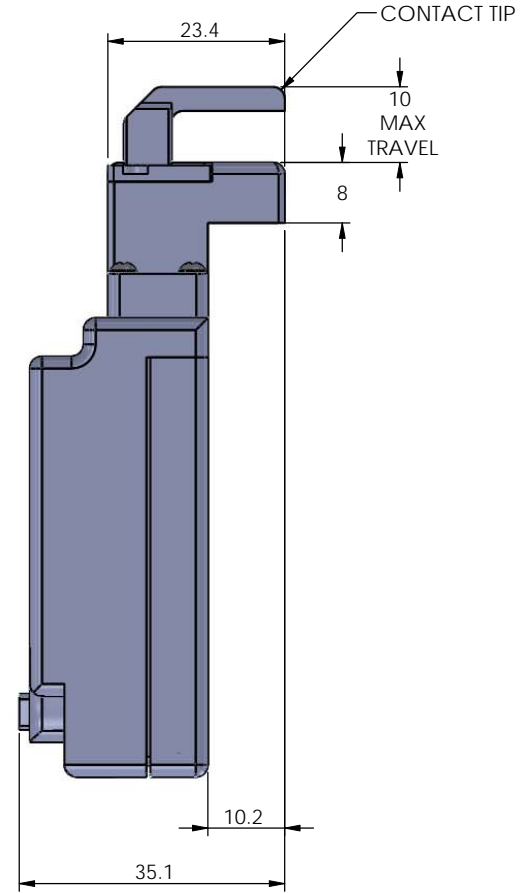
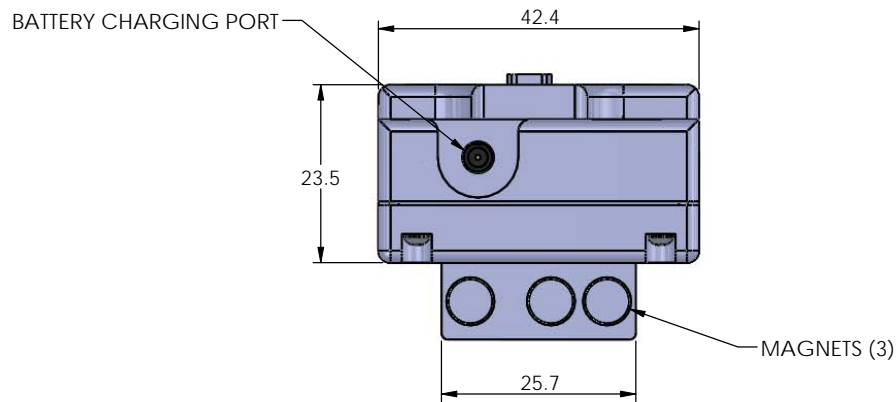
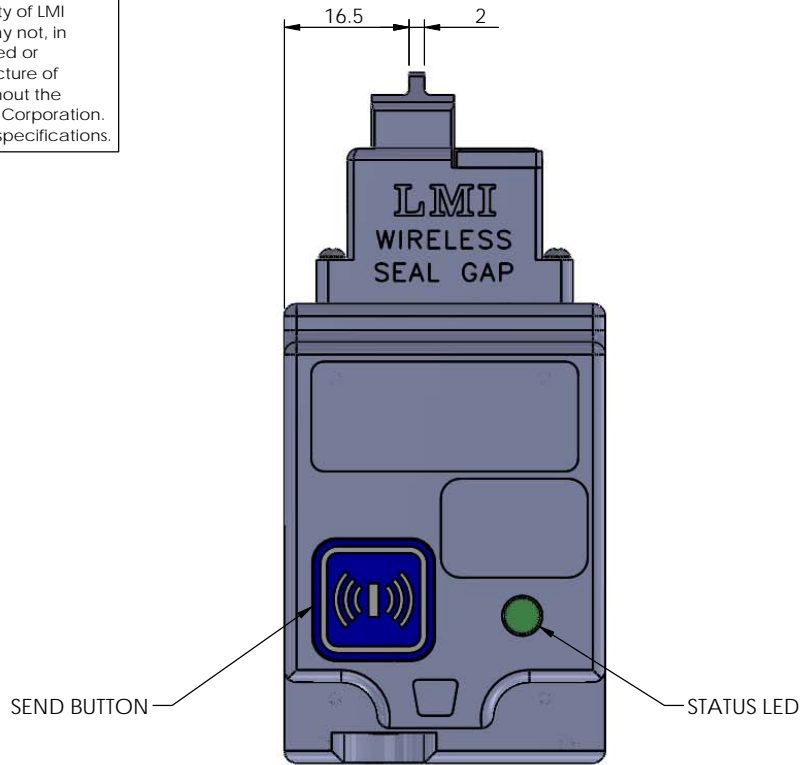


This drawing contains designs and other information which are property of LMI Corporation. This drawing may not, in whole or in part, be duplicated or disclosed or used for manufacture of the part disclosed herein, without the prior written permission of LMI Corporation. Contact LMI to verify current specifications.



PRODUCT TEMPLATE

TITLE: LMI 237W MINI, (8-18MM) RANGE			
PRODUCT TEMPLATE			
MAT'L:		MAT'L P/N: N/A	
DR:	RE	APP:	DATE: 2/17/11
SHEET: 1 OF 1	SCALE: 1:2	PART NO: 237W REF	

DIMENSIONAL TOLERANCES UNLESS OTHERWISE SPECIFIED:
 MILLIMETERS: 1 PLACE +/- 0.3MM INCHES: 2 PLACE +/- 0.01
 2 PLACE +/- 0.15MM 3 PLACE +/- 0.005
 3 PLACE +/- 0.015MM 4 PLACE +/- 0.0005
 ANGLE +/- 15 MINUTES (25 DEGREES)
 CLEAN & EVEN BREAK ALL EDGES .015 UNLESS OTHERWISE SPECIFIED

LMI

PHONE #(810) 714-5811