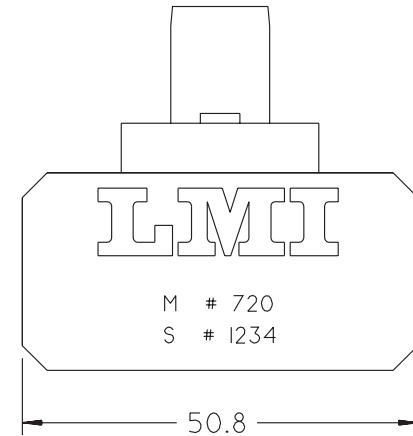
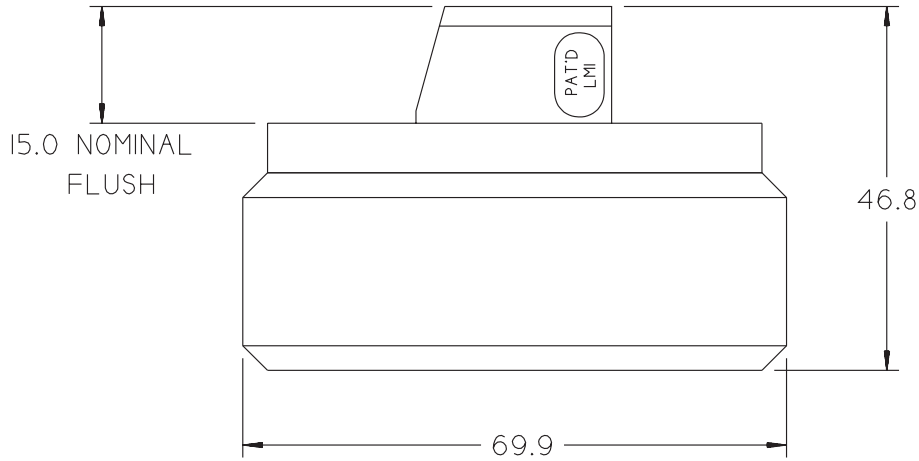
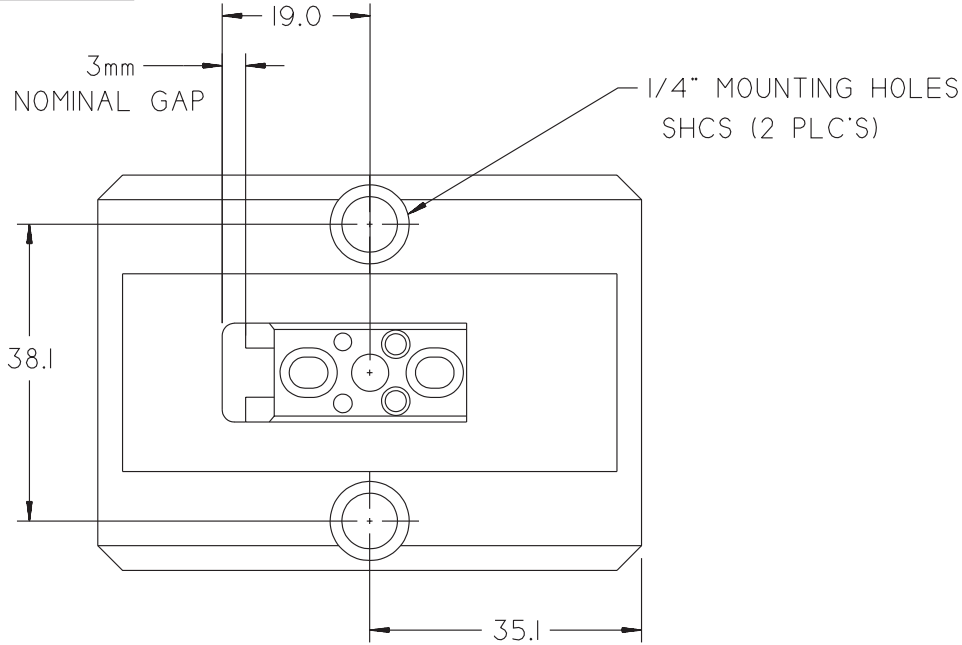


This drawing contains designs and other information which are the property of LMI Corporation. This drawing may not, in whole or in part be duplicated or disclosed or used for manufacture of the part disclosed herein, without the prior written permission of LMI Corporation. LMI is dedicated to continuous product development and therefore reserves the right to modify the design without notice. Contact LMI to verify current design specifications.

Tracing Template



MANUFACTURED UNDER ONE OR MORE OF THE FOLLOWING PATENTS:
 #4345380: #4731935: #4787151: #4831742: #4831743: #4843727: #5787017

LMI
 Corporation
 Phone # (810) 714-5811

TITLE: LMI 720 MASTER BLOCK	
SHEET: 1 of 1	REV DATE: 10/21/98