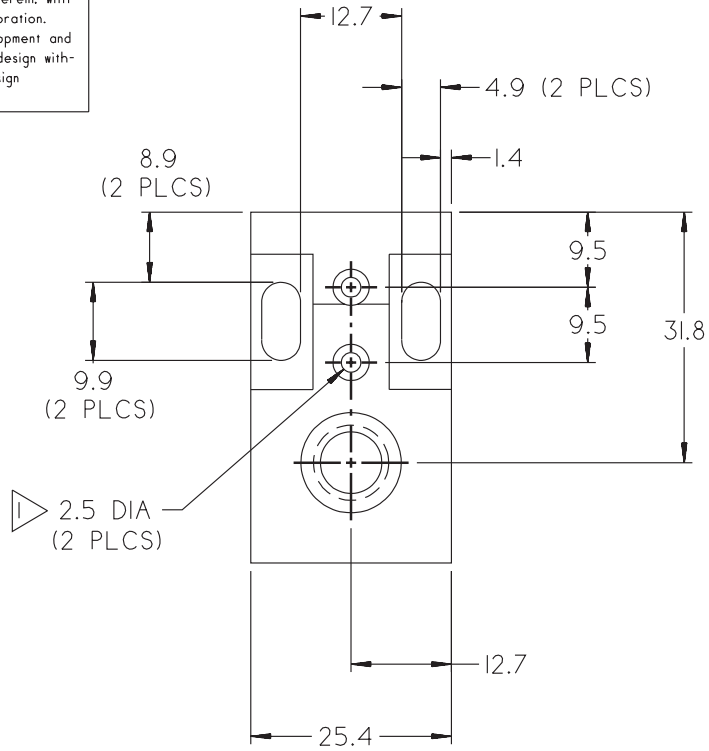
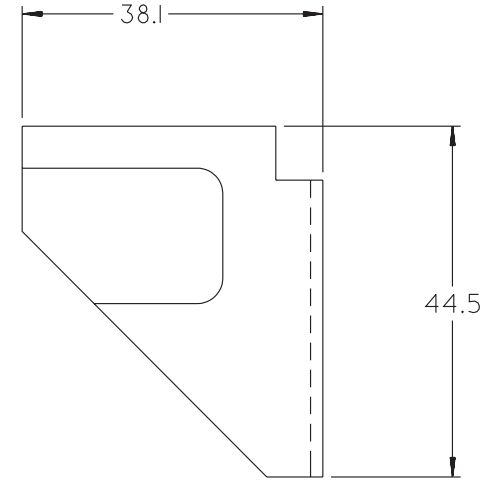


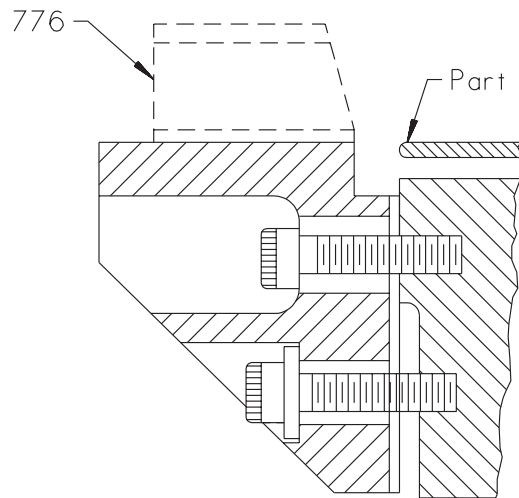
This drawing contains designs and other information which are the property of LMI Corporation. This drawing may not, in whole or in part be duplicated or disclosed or used for manufacture of the part disclosed herein, without the prior written permission of LMI Corporation. LMI is dedicated to continuous product development and therefore reserves the right to modify the design without notice. Contact LMI to verify current design specifications.



Tracing Template



CROSS SECTION OF TYPICAL LMI 760 SETUP



▷ HOLES TO BE REAMED BY USER FOR A 3.18 DIA DOWEL

LMI
Corporation
Phone # (810) 714-5811

TITLE: LMI 760 BRACKET

SHEET: 1 of 1

REV DATE: 11/12/97